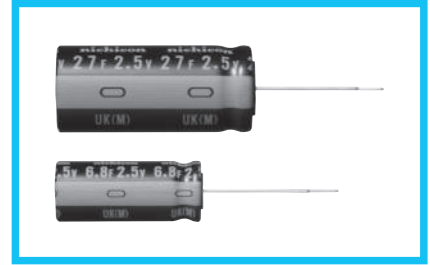
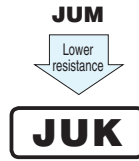




Radial Lead Type, Lower Resistance

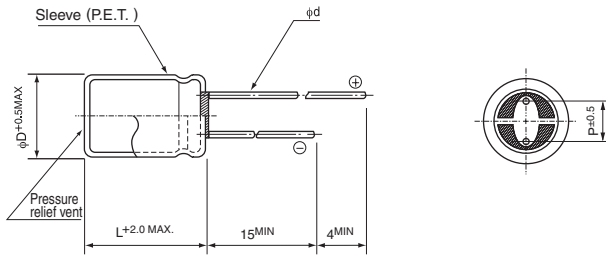
- Lower resistance type of JUM.
- Suited for Smart Meters.
- Lower temperature range (− 40 to +70°C).
- Compliant to the RoHS directive (2011/65/EU,(EU)2015/863).



Specifications

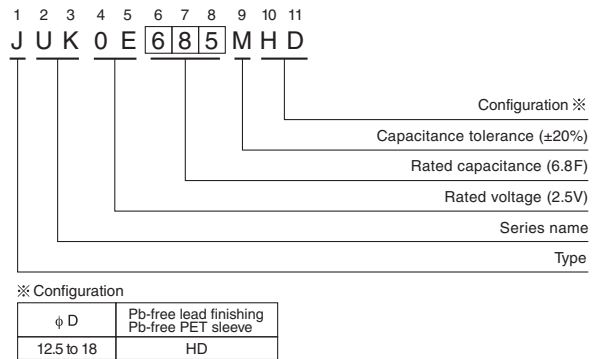
| Item | Performance Characteristics | | | | | |
|------------------------------|---|---|--------------------|--|-----|---|
| Category Temperature Range | − 40 to +70°C | | | | | |
| Rated Voltage | 2.5V | | | | | |
| Rated Capacitance | 6.8 to 27F See Note | | | | | |
| Capacitance Tolerance | ± 20% , 20°C | | | | | |
| Stability at Low Temperature | Capacitance (− 40°C) / Capacitance (+20°C) × 100 ≥ 70% ESR (− 40°C) / ESR (+20°C) ≤ 7 | | | | | |
| ESR, DCR* | Refer to the table below (20°C). *DC internal resistance | | | | | |
| Endurance | The specifications listed at right shall be met when the capacitors are restored to 20°C after the rated voltage is applied for 1000 hours at 70°C. | <table border="1"> <tr> <td>Capacitance change</td> <td>Within ±30% of the initial capacitance value</td> </tr> <tr> <td>ESR</td> <td>300% or less than the initial specified value</td> </tr> </table> | Capacitance change | Within ±30% of the initial capacitance value | ESR | 300% or less than the initial specified value |
| | Capacitance change | Within ±30% of the initial capacitance value | | | | |
| ESR | 300% or less than the initial specified value | | | | | |
| Shelf Life | The specifications listed at right shall be met when the capacitors are restored to 20°C after storing the capacitors under no load for 1000 hours at 70°C. | <table border="1"> <tr> <td>Capacitance change</td> <td>Within ±30% of the initial capacitance value</td> </tr> <tr> <td>ESR</td> <td>300% or less than the initial specified value</td> </tr> </table> | Capacitance change | Within ±30% of the initial capacitance value | ESR | 300% or less than the initial specified value |
| | Capacitance change | Within ±30% of the initial capacitance value | | | | |
| ESR | 300% or less than the initial specified value | | | | | |
| Humidity Endurance | The specifications listed at right shall be met when the capacitors are restored to 20°C after the rated voltage is applied for 500 hours at 40°C 90%RH. | <table border="1"> <tr> <td>Capacitance change</td> <td>Within ±30% of the initial capacitance value</td> </tr> <tr> <td>ESR</td> <td>300% or less than the initial specified value</td> </tr> </table> | Capacitance change | Within ±30% of the initial capacitance value | ESR | 300% or less than the initial specified value |
| | Capacitance change | Within ±30% of the initial capacitance value | | | | |
| ESR | 300% or less than the initial specified value | | | | | |
| Marking | Printed with white color letter on black sleeve. | | | | | |

Drawing



| | (mm) | | |
|----|------|-----|-----|
| φD | 12.5 | 16 | 18 |
| P | 5.0 | 7.5 | 7.5 |
| φd | 0.8 | 0.8 | 0.8 |

Type numbering system (Example : 2.5V 6.8F)



- Please refer to the Guidelines for Aluminum Electrolytic Capacitors for end seal configuration information.

Dimensions

| Rated Voltage (Code) | Rated Capacitance (F) | Code | ESR (Ω) (at 1kHz) | DCR※ Typical (Ω) | Case size φ D × L (mm) |
|------------------------|-----------------------|------|-------------------|------------------|------------------------|
| 2.5V (0E) | 6.8 | 685 | 0.075 | 0.085 | 12.5 × 31.5 |
| | 12 | 126 | 0.060 | 0.065 | 16 × 31.5 |
| | 18 | 186 | 0.055 | 0.055 | 18 × 31.5 |
| | 27 | 276 | 0.040 | 0.035 | 18 × 40 |

Note :

The capacitance calculated from discharge time (ΔT) with constant current (i) after 30minute charge with rated voltage (2.5V).

The discharge current (i) is 0.01 × rated capacitance (F).

The discharge time (ΔT) measured between 2V and 1V with constant current.

The capacitance calculated below.

$$\text{Capacitance (F)} = i \times \Delta T$$

※ The listed DCR value is typical and therefore not a guaranteed value.